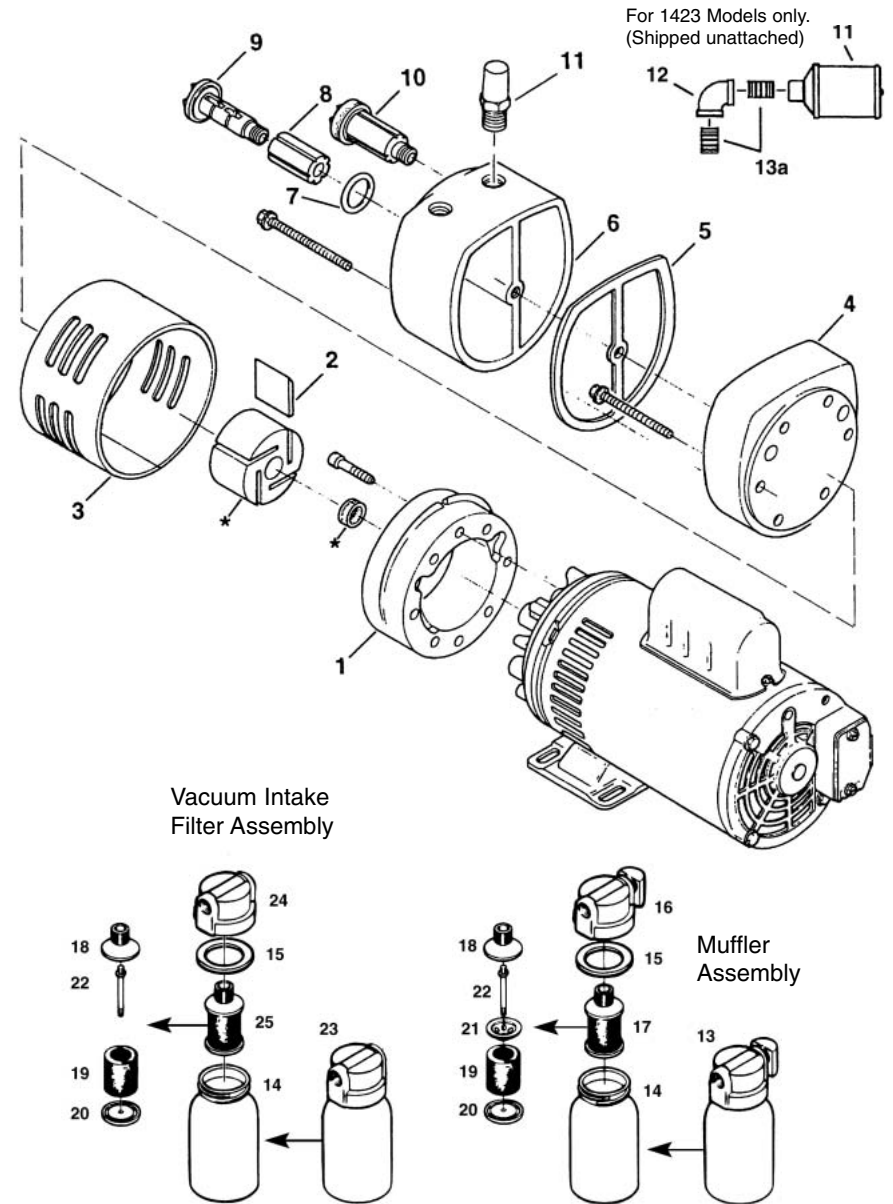


EXPLODED PRODUCT VIEW, PARTS & ORDERING INFORMATION

| REF | DESCRIPTION | QTY | 0823-101 | 0823-101Q | 1023-101 | 1023-101Q | 1023-V103 | 1423-101 | 1423-101Q |
|-----|------------------|-----|----------|-----------|----------|-----------|-----------|----------|-----------|
| 1 | BODY | 1 | AK517 | AK517 | AK518 | AK518 | AK518 | AL283 | AL283 |
| 2 * | VANE | 4 | AK513 | AK513 | AK513 | AK513 | AK513 | AL284 | AL284 |
| 3 | SHROUD | 1 | AK511 | AK511 | AK511 | AK511 | AK511 | AL281 | AL281 |
| 4 | END PLATE | 1 | AK515A | AK514 | AK515A | AK514 | AK515A | AK515A | AK514 |
| 5 * | GASKET | 1 | | AK522 | | AK522 | | AK522 | |
| 6 | MUFFLER BOX | 1 | | AK520 | | AK520 | | AK520 | |
| 7 * | O-RING | 2 | | AK473 | | AK473 | | AK473 | |
| 8 * | FELT | 2 | | AK524 | | AK524 | | AK524 | |
| 9 | END CAP | 2 | | AK510 | | AK510 | | AK610 | |
| 10 | END CAP ASSEMBLY | 2 | | AK526 | | AK526 | | AK526 | |
| 11 | FILTER / MUFFLER | 1 | | AK840 | | AK840 | | AD432 | AC432 |
| 12 | ELBOW | 1 | | | | | | BA206 | BA206 |
| 12 | ELBOW *** | 2 | | | | | AF272 | | |
| 13 | MUFFLER ASSEMBLY | 1 | | | | | AB599B | | |
| 13a | NIPPLE | 2 | | | | | | BA714 | BA714 |
| 14 | JAR | 2 | | | | | AA805 | | |
| 15 | COVER GASKET | 2 | | | | | AA405 | | |
| 16 | COVER ASSEMBLY | 1 | | | | | AV805BPC | | |
| 17 | MUFFLER ASSEMBLY | 1 | | | | | AC434-1 | | |
| 18 | COUPLING | 2 | | | | | AC391 | | |
| 19 | CARTRIDGE | 2 | | | | | AC393 | | |
| 20 | END CAP ASSEMBLY | 2 | | | | | AC394 | | |
| 21 | MUFFLER PLATE | 1 | | | | | AC395 | | |
| 22 | STUD | 2 | | | | | AC396 | | |
| 23 | FILTER ASSEMBLY | 1 | | | | | AB599 | | |
| 24 | COVER ASSEMBLY | 1 | | | | | AV805APC | | |
| 25 | FILTER ASSEMBLY | 1 | | | | | AC433-1 | | |
| | SERVICE KIT | 1 | K479A | K479 | K479A | K479 | ** | K575A | K575A |



* Denotes parts included in the Service Kit. Parts listed are for stock models.

** No Service Kit available, order parts separately. *** Not shown.

For specific OEM models, please consult the factory. When corresponding or ordering parts, please give complete model and serial numbers.